

Bondi Marble Standing Desk



MY HABITAT

Bondi Marble Standing Desk

The Bondi Marble Standing Desk is a sculptural standing desk carved from a single solid block, featuring an organic, sculptural profile.

Pictured in our limited edition Verde Serpa marble. This stone is now out of stock — see our [Stone Overview](#) page for more information.

Dimensions can be adjusted at no extra cost—width/length \approx 10 cm, height \approx 5 cm. Add your preferred measurements (cm or inches) in the checkout notes.

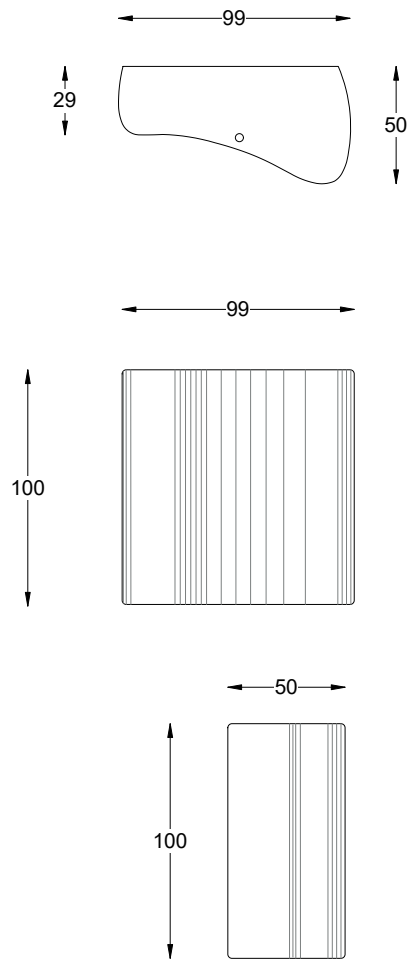
Each piece is made to order and can be customised in size, material, or detail. If you don't see what you need, use the [Custom Inquiry Form](#) below for a tailored quote.

[STONE CATALOGUE](#)



Technical Specifications

Dimensions



Copyright © 2024 My Habitat Design
Private and Confidential. No designs, concepts or ideas in this document
may be used without prior written agreement of MHD.

